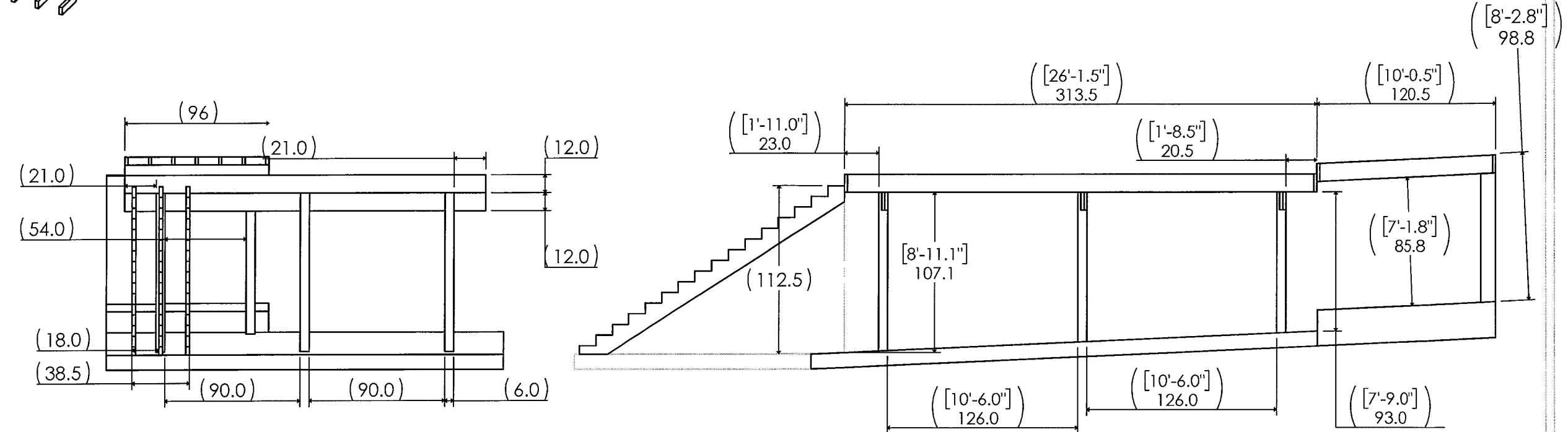
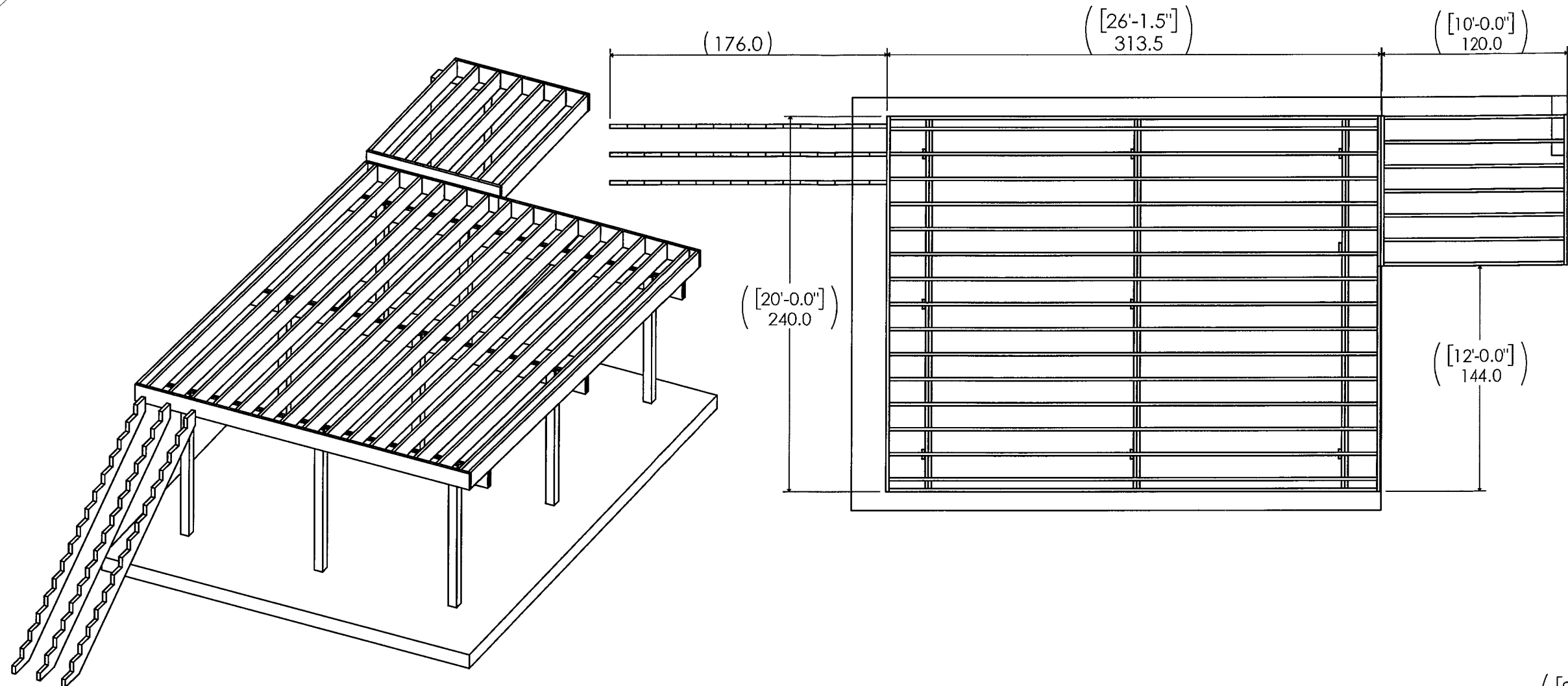


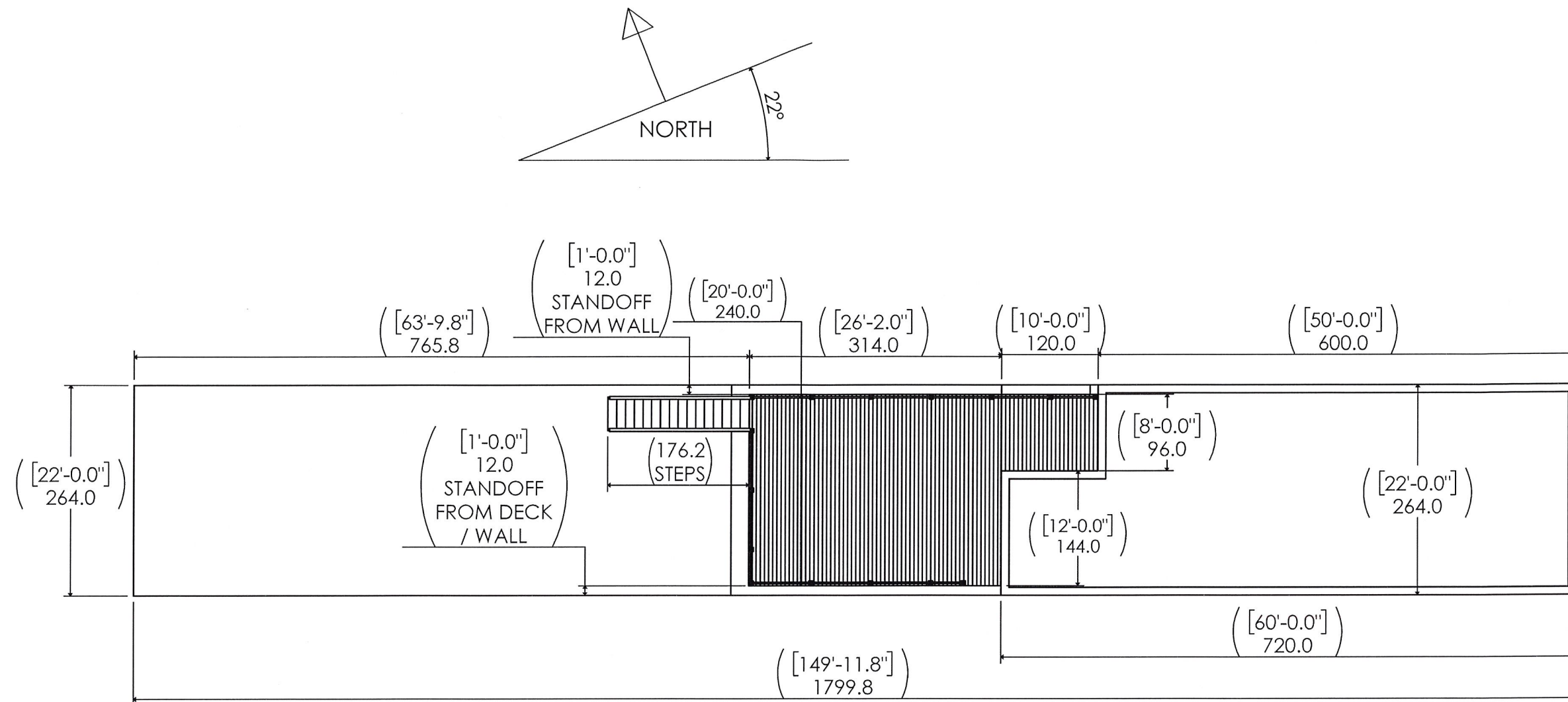
T.S.E. LLC.

DWG. NO. Little Joy Coffee Shop West Deck REVC DATE:10.13.21 SHEET 1 OF 4



**T.S.E. LLC.**

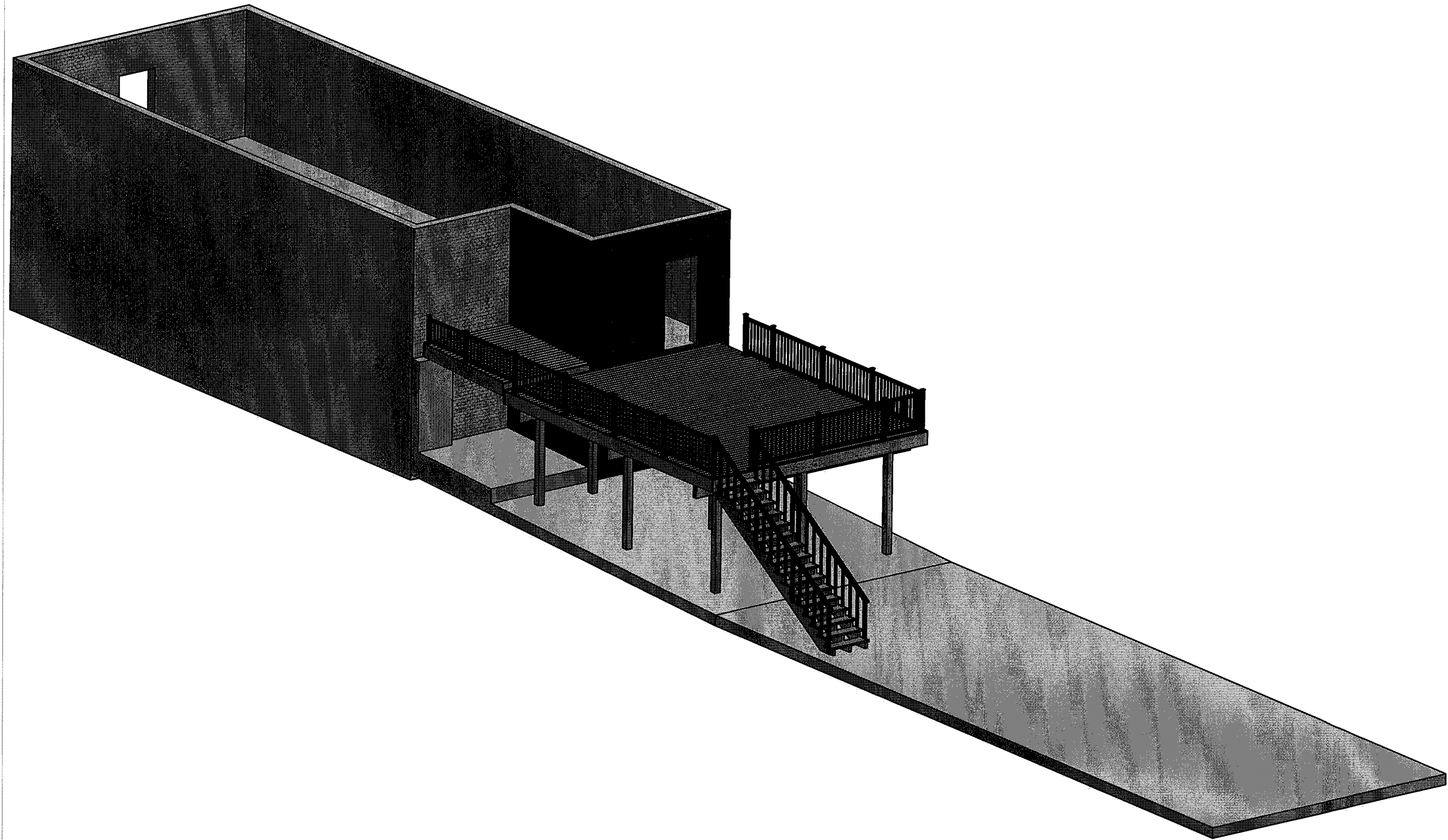
DWG. NO. Little Joy Coffee Shop West Deck REV B DATE: 9.10.21 SHEET 2 OF 4



**NOTES:**

- DECK PREVIOUSLY MODELED AT 22' WIDE = TOTAL LOT WIDTH. THIS HAS BEEN UPDATED TO ~ 20' OVERALL.
- ESTIMATED DISTANCE FROM WALL TO FOOTINGS IS 3' BUT DEPENDENT ON LOCATION OF IN GROUND POWER CURRENTLY USED FOR CONTENTED COW MUSIC STAGE.
- SIZE OF DECK AND LOCATION OF FOOTINGS WILL FLUCTUATE BASED ON ACTUAL ON SITE CIRCUMSTANCES.
- NUANCES OF TIE IN TO CONTENTED COW DECK, AND SMALL DECK NEXT TO LITTLE JOY WINDOW WILL BE DEALT WITH WHEN BUILT AND ARE NOT CURRENTLY MODELED HERE.
- ALL WORK WILL MEET MINNESOTA STATE BUILDING CODE.

10.13.21: STEPS ADDED TO SCOPE DUE TO EGRESS CONCERNS.



**T.S.E. LLC.**

DWG. NO. Little Joy Coffee Shop West Deck REV B      DATE: 9.10.21      SHEET 4 OF 4